

FOR OFF ROAD/RACE USE ONLY!



Driven TT Rearsets for '15-'17 Yamaha R-3 (Race only, no stock foot peg position)

Part#:DRP-729

INSTALLATION INSTRUCTIONS

Removal

Shifter Side

1. Remove shift rod (do not remove shift knuckle).
2. Remove frame plate including stock shift lever from bike.

Brake Side

1. Remove frame bracket from bike
2. Remove 2 M8 bolts holding heel guard
3. Remove master cylinder plunger pin from brake pedal
4. Remove rear brake switch and disconnect it from bike.

TOOLS REQUIRED

- 8mm Open End Wrench
- 5mm Hex Key
- 6mm Hex Key
- 8mm Hex Key
- Needle Nose Pliers
- Screw Driver
- Blue Loctite
- Impact Gun

THE USE OF BLUE LOCTITE IS REQUIRED ON ALL MOUNTING HARDWARE!

Installation

NOTE: ALL PIVOT POINTS MUST BE TIGHTENED USING BLUE LOCTITE AND AN IMPACT GUN.

To retain the use of the rear brake light switch a separate M10 X 1.25 aftermarket brake light switch (not included) will need to be used.

Shifter Side

1. Install foot peg in frame bracket.
2. Install frame bracket onto bike.
3. Connect shift rod into shift pedal
4. Install frame bracket onto bike.
5. Adjust lever to desired position
- 6 For reverse shift simply rotate shift knuckle 180 degrees.

Brake Side

1. Install foot peg in frame bracket
2. Connect master cylinder plunger to brake lever using oem pin.
3. Install master cylinder using 2 M6 bolts supplied
 - 3a. Make sure brake pedal has "free play". Very Important.
4. Install frame bracket to bike.
5. Use blue Loctite on all bolts and torque all to required specs.
6. Make sure nothing interferes with proper operation of motorcycles.

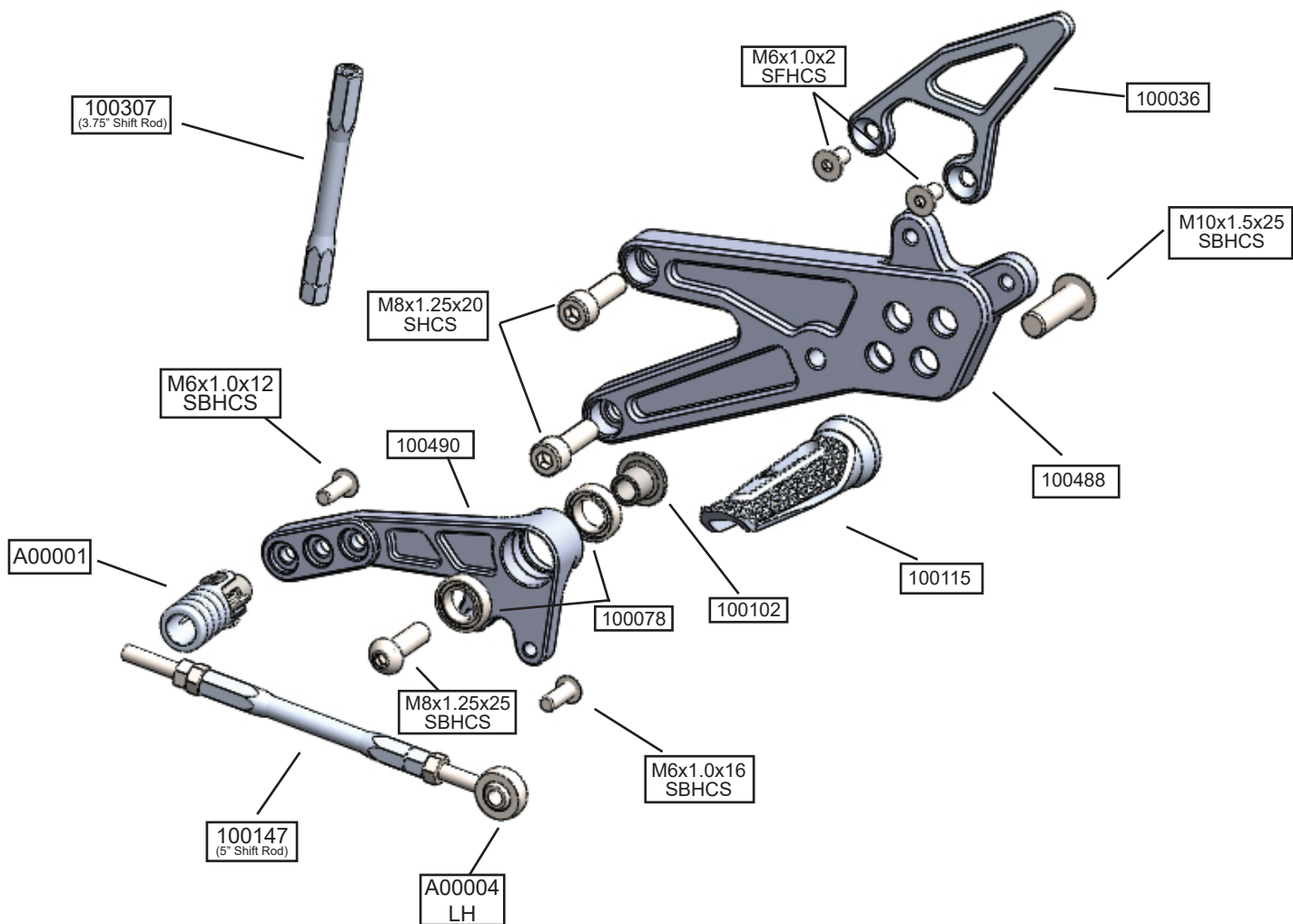
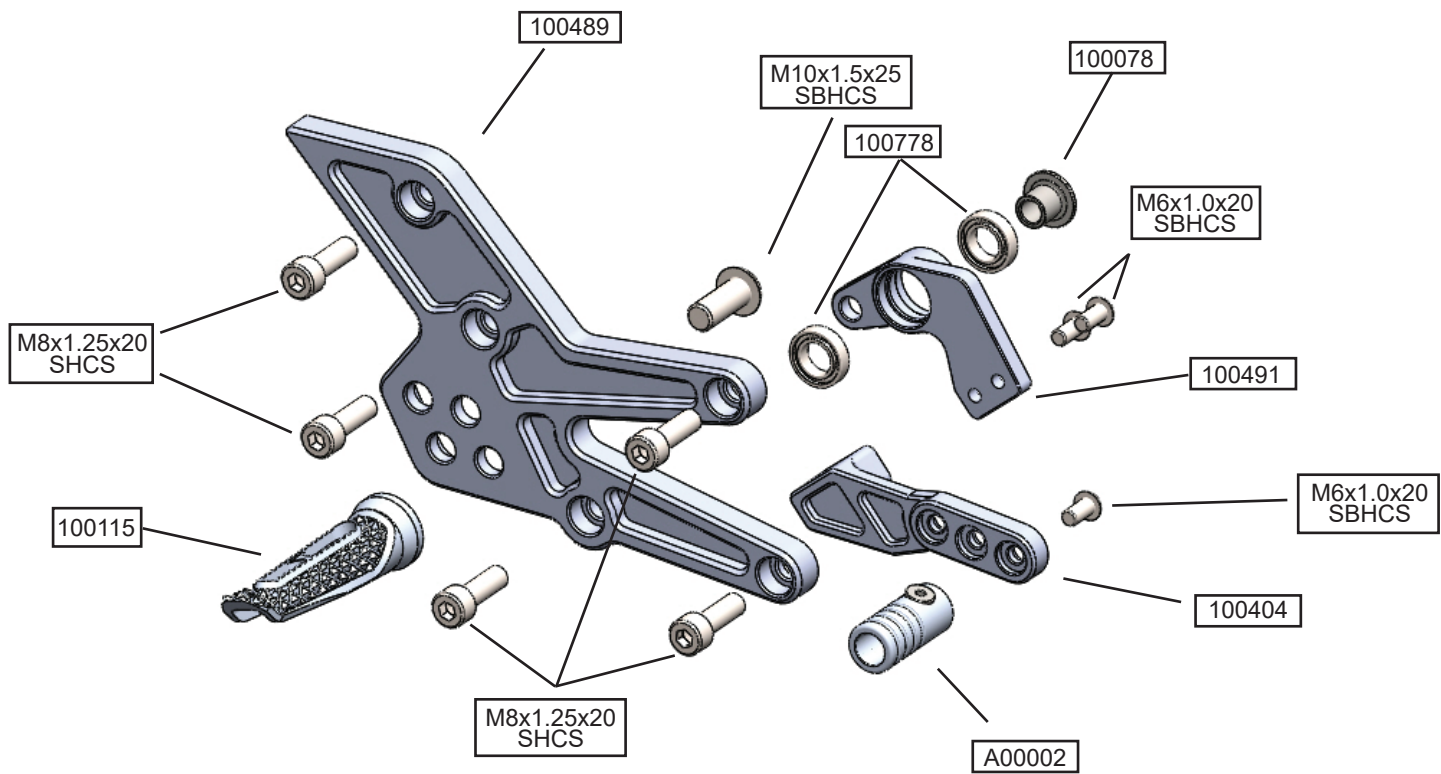
***To activate rear brake light, a brake pressure switch(not included) needs to be installed**

TORQUE VALUES

- M5 = 6FT/LBS
- M6 = 10FT/LBS
- M8 = 25FT/LBS
- M10= 45FT/LBS

Make final adjustment as necessary and re-check all hardware after the first 500 miles of use.

THIS PRODUCT IS INTENDED TO BE INSTALLED BY A CERTIFIED TECHNICIAN*





(Fig 1.) Brake



(Fig 2.) Standard Shift



(Fig 3.) Reverse Shift

*These images are prototypes only. The actual product may look different.