

FOR OFF ROAD/RACE USE ONLY!



Driven TT Rearsets for Triumph 675/R Street Triple 13-16

Part#: DRP-707

INSTALLATION INSTRUCTIONS

Removal

Shifter Side

1. Remove left side frame bracket.
2. Using an m8 open end wrench disconnect the shift rod from shift pedal (do not touch quick shift adjuster).

Brake Side

1. Remove exhaust hanger bolt.
2. Remove rear master cylinder bolts.
3. Remove frame bracket.
4. Disconnect rear brake switch.

TOOLS REQUIRED

- 8mm Open End Wrench
- 5mm Hex Key
- 6mm Hex Key
- 8mm Hex Key
- Needle Nose Pliers
- Screw Driver
- Blue Loctite
- Impact Gun

THE USE OF BLUE LOCTITE IS REQUIRED ON ALL MOUNTING HARDWARE!

Installation

NOTE: ALL PIVOT POINTS MUST BE TIGHTENED USING BLUE LOCTITE AND AN IMPACT GUN.

To retain the use of the rear brake light switch a separate M10 X 1.25 aftermarket brake light switch (not included) will need to be used.

Shifter Side

1. Check supplied diagram and choose what shift pattern you want to use. Once done, tighten all nuts using blue Loctite. (the rear set are shipped with STD shift set up).
2. Connect OEM shift rod to top of bell crank and secure using supplied nut.
3. Install foot peg into left side bracket and tighten using blue Loctite.
4. Connect bracket to frame and tighten all bolts using blue Loctite.

Brake Side

1. Connect brake plunger to brake pedal using OEM pin and lock.
2. Connect master to frame bracket using supplied bolts.
3. Install foot peg into left side bracket and tighten using blue Loctite.
4. Connect bracket to bike using supplied bolts using blue Loctite.
5. Connect EX to bracket using supplied bolt.
6. Tighten all bolts to factory specs.
7. Make sure nothing is interfering with operation of motorcycle.
8. For off road use only.

TORQUE VALUES

- M5 = 6FT/LBS
- M6 = 10FT/LBS
- M8 = 25FT/LBS
- M10 = 45FT/LBS

Make final adjustments as necessary and re-check all hardware after the first 500 miles of use.



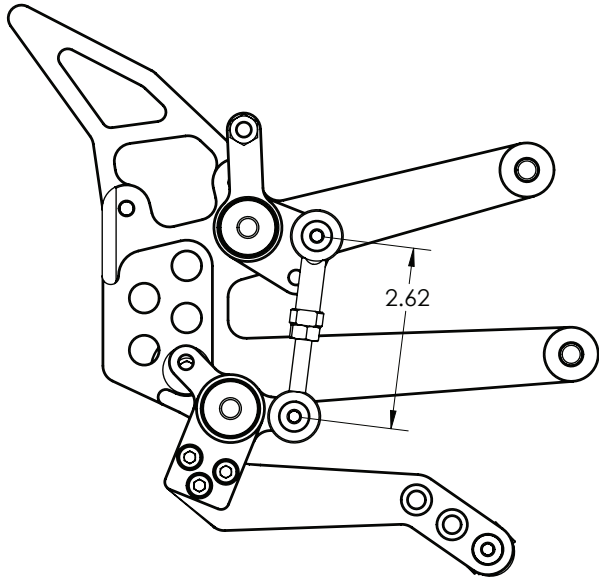
Brake Side



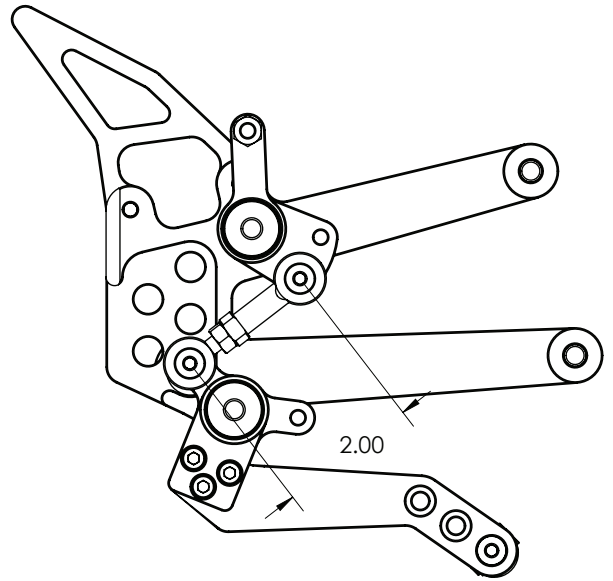
Shifter Side

THIS PRODUCT IS INTENDED TO BE INSTALLED BY A CERTIFIED TECHNICIAN*

FOR OFF ROAD/RACE USE ONLY!



STANDARD SHIFT



REVERSE SHIFT

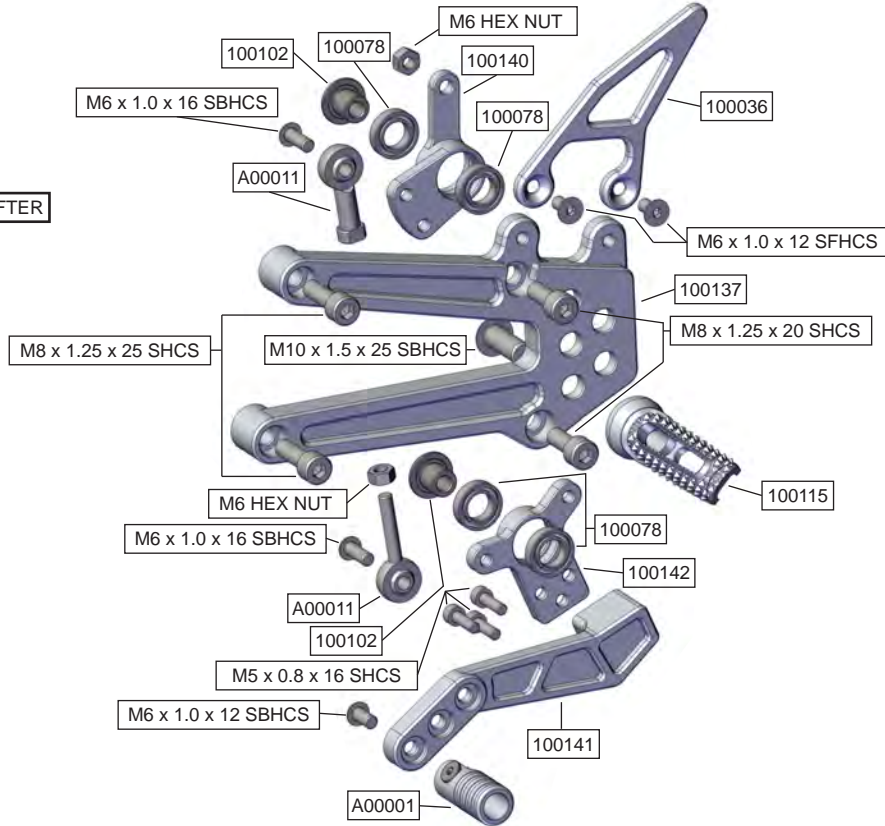
THIS PRODUCT IS INTENDED TO BE INSTALLED BY A CERTIFIED TECHNICIAN*

FOR OFF ROAD/RACE USE ONLY!

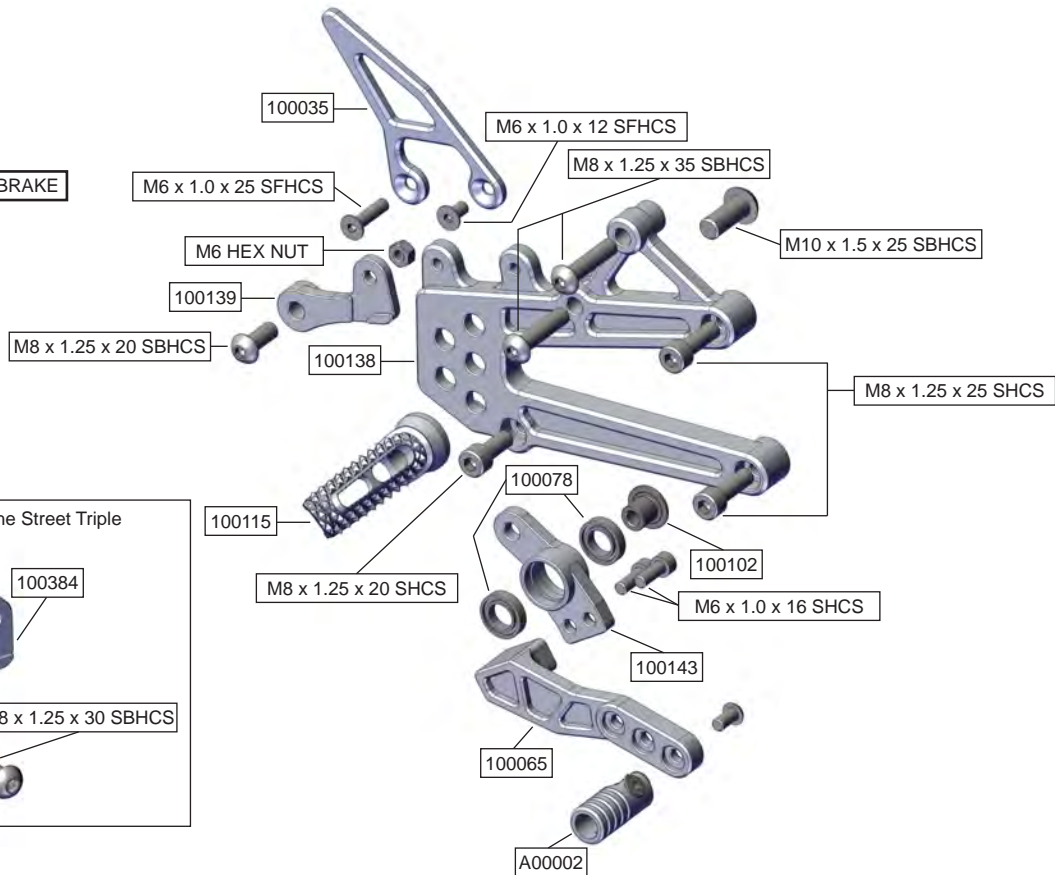


Driven TT Rearsets for Triumph 675/R Street Triple 13-15
Part#: DRP-707

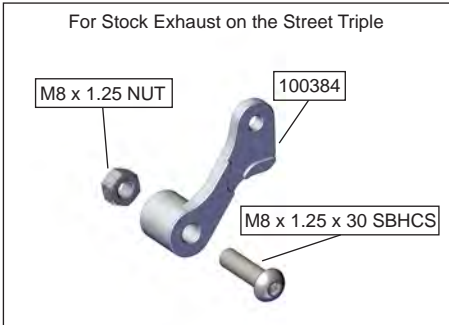
LEFT SIDE / SHIFTER



RIGHT SIDE / BRAKE



For Stock Exhaust on the Street Triple



THIS PRODUCT IS INTENDED TO BE INSTALLED BY A CERTIFIED TECHNICIAN*